

**L E D**

**MUSIC LINE**

**SYSTEM  
OF MODERN  
LED  
LIGHTING  
FITTINGS**

**FOR THE LIGHTING OF STAIRS,  
FURNITURE, PASSAGE WAYS  
AND FOR EMERGENCY LIGHT**

**SKOFF**

# MUSIC LINE

MUSIC LINE led lighting fittings have numerous applications, i.e.: **in the lighting up of stairs, passage ways, walls, glass cases and kitchen furniture alike; they can be also used as emergency lighting.**

These fittings can be installed directly on a flammable surface, in ready-made openings of  $\varnothing 50$  - MINI or  $\varnothing 60$  - STANDARD and DUO, as well as inside standard electric installation boxes.

STICK fittings are adapted for their immediate sticking onto the surface by means of a glue or pressure-sensitive adhesive tape.

The MUSIC LINE products avail of a modern LED lighting system, characterized by high level of brightness and a very low power consumption, which means that such lighting works out incomparably cheaper in use than traditional lighting methods.

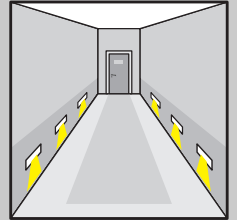
Easy assembly and excellent light effect in combination with original, modern pattern design, stands for a myriad of applications.



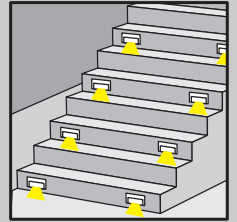
The MUSIC LINE as produced by the company Skoff has obtained a prestigious award - **GOLD MEDAL** at the **INTERNATIONAL POZNAŃ TRADE FAIRS**

# Lighting for:

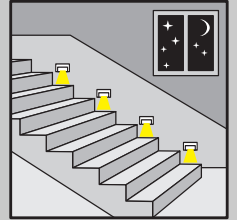
passage ways - bottom



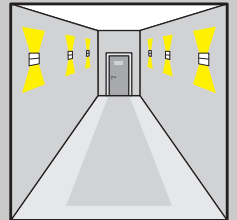
staircase - under the steps



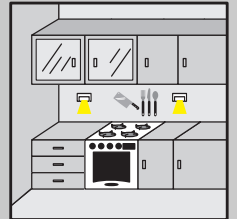
staircase - at the side



passage ways - top



kitchen



furniture



furniture - drinks cabinet



bathrooms





LED LIGHTING FITTING

# Tango

**External Surface:**

- K - STAINLESS STEEL
- G - ALUMINIUM

• voltage rating 10V=

**Rated current (power):**

- WHITE (W) - 0,8W
- RED (R) - 1,0W
- GREEN (G) - 0,6W
- BLUE (B) - 0,8W

Assembly in a  $\varnothing 60$ mm box



IP20 F B CE



LED LIGHTING FITTING

# Rueda

**External Surface:**

- K - STAINLESS STEEL
- G - ALUMINIUM

• voltage rating 10V=

**Rated current (power):**

- WHITE (W) - 0,8W
- RED (R) - 1,0W
- GREEN (G) - 0,6W
- BLUE (B) - 0,8W

Assembly in a  $\varnothing 60$ mm box



IP20 F B CE



LED LIGHTING FITTING

# Tango

mini

**External Surface:**

- K - STAINLESS STEEL
- G - ALUMINIUM

• voltage rating 10V=

**Rated current (power):**

- WHITE (W) - 0,4W
- RED (R) - 0,5W
- GREEN (G) - 0,3W
- BLUE (B) - 0,4W

Assembly in a  $\varnothing 50$ mm opening



IP20 F B CE



LED LIGHTING FITTING

# Rueda

mini

**External Surface:**

- K - STAINLESS STEEL
- G - ALUMINIUM

• voltage rating 10V=

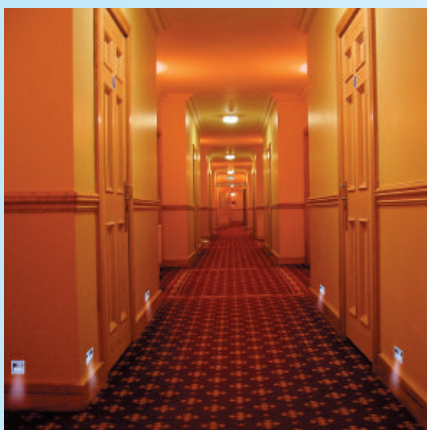
**Rated current (power):**

- WHITE (W) - 0,4W
- RED (R) - 0,5W
- GREEN (G) - 0,3W
- BLUE (B) - 0,4W

Assembly in a  $\varnothing 50$ mm opening



IP20 F B CE



LED LIGHTING FITTING

*Tango*

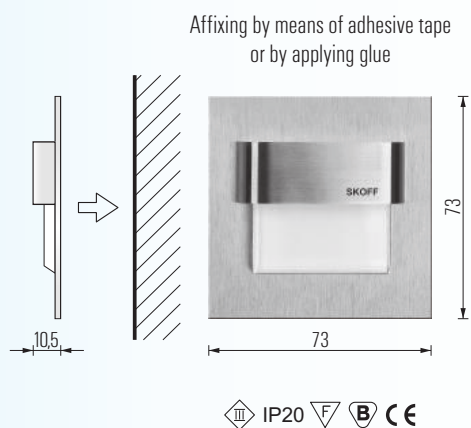
STICK

**External Surface:**  
G - ALUMINIUM

• voltage rating 10V=

**Rated current (power):**

- WHITE (W) - 0,8W
- RED (R) - 1,0W
- GREEN (G) - 0,6W
- BLUE (B) - 0,8W



LED LIGHTING FITTING

*Rueda*

STICK

**External Surface:**  
G - ALUMINIUM

• voltage rating 10V=

**Rated current (power):**

- WHITE (W) - 0,8W
- RED (R) - 1,0W
- GREEN (G) - 0,6W
- BLUE (B) - 0,8W



LED LIGHTING FITTING

*Tango*

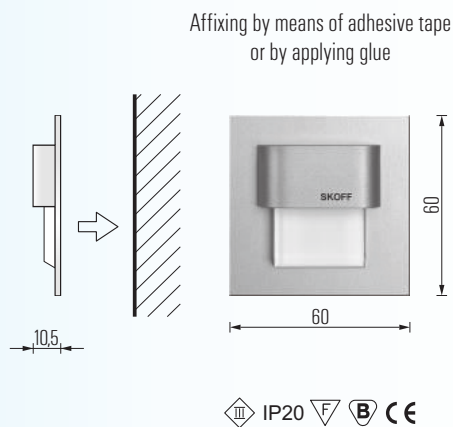
mini STICK

**External Surface:**  
K - STAINLESS STEEL  
G - ALUMINIUM

• voltage rating 10V=

**Rated current (power):**

- WHITE (W) - 0,4W
- RED (R) - 0,5W
- GREEN (G) - 0,3W
- BLUE (B) - 0,4W



LED LIGHTING FITTING

*Rueda*

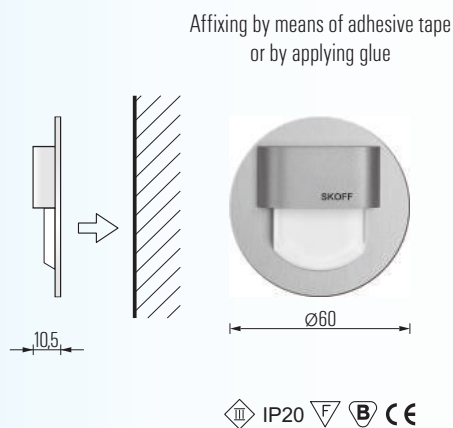
mini STICK

**External Surface:**  
K - STAINLESS STEEL  
G - ALUMINIUM

• voltage rating 10V=

**Rated current (power):**

- WHITE (W) - 0,4W
- RED (R) - 0,5W
- GREEN (G) - 0,3W
- BLUE (B) - 0,4W





LED LIGHTING FITTING

duo

**Tango**

**External Surface:**

- K - STAINLESS STEEL
- G - ALUMINIUM

• voltage rating 10V=

**Rated current (power):**

- WHITE (W) - 1,6W
- RED (R) - 2,0W
- GREEN (G) - 1,2W
- BLUE (B) - 1,6W

Assembly  
in a  $\varnothing 60$ mm box



LED LIGHTING FITTING

duo

**Rueda**

**External Surface:**

- K - STAINLESS STEEL
- G - ALUMINIUM

• voltage rating 10V=

**Rated current (power):**

- WHITE (W) - 1,6W
- RED (R) - 2,0W
- GREEN (G) - 1,2W
- BLUE (B) - 1,6W

Assembly  
in a  $\varnothing 60$ mm box



LED LIGHTING FITTING

KINKIET duo

**Tango**

**External Surface:**

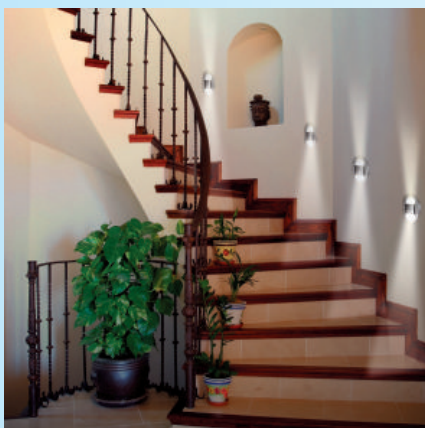
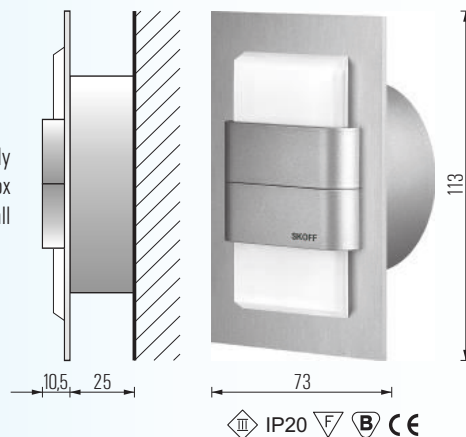
- G - ALUMINIUM

• voltage rating 10V=

**Rated current (power):**

- WHITE (W) - 1,6W
- RED (R) - 2,0W
- GREEN (G) - 1,2W
- BLUE (B) - 1,6W

Assembly  
in a P70N box  
on the wall



LED LIGHTING FITTING

KINKIET duo

**Rueda**

**External Surface:**

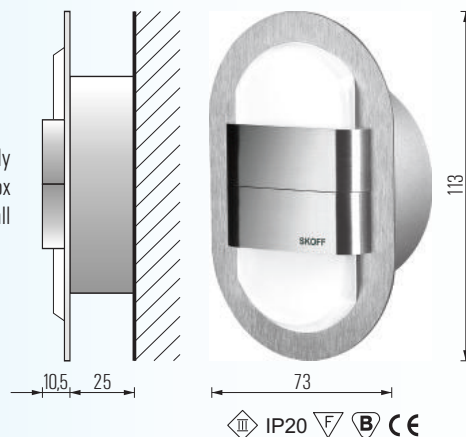
- G - ALUMINIUM

• voltage rating 10V=

**Rated current (power):**

- WHITE (W) - 1,6W
- RED (R) - 2,0W
- GREEN (G) - 1,2W
- BLUE (B) - 1,6W

Assembly  
in a P70N box  
on the wall





LED LIGHTING FITTING

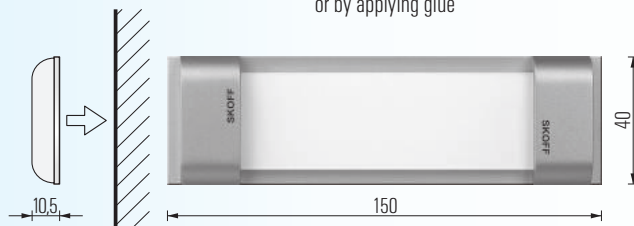
*Rumba*

External Surface:  
G - ALUMINIUM

• voltage rating 10V=

Rated current (power):

- WHITE (W) - 0,8W
- RED (R) - 1,0W
- GREEN (G) - 0,6W
- BLUE (B) - 0,8W



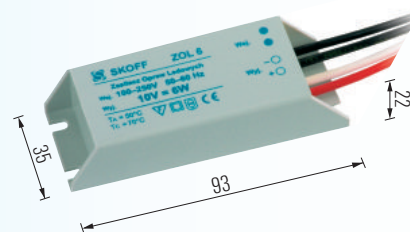
Affixing by means of adhesive tape  
or by applying glue

• voltage rating 10V=

IP20 F B CE

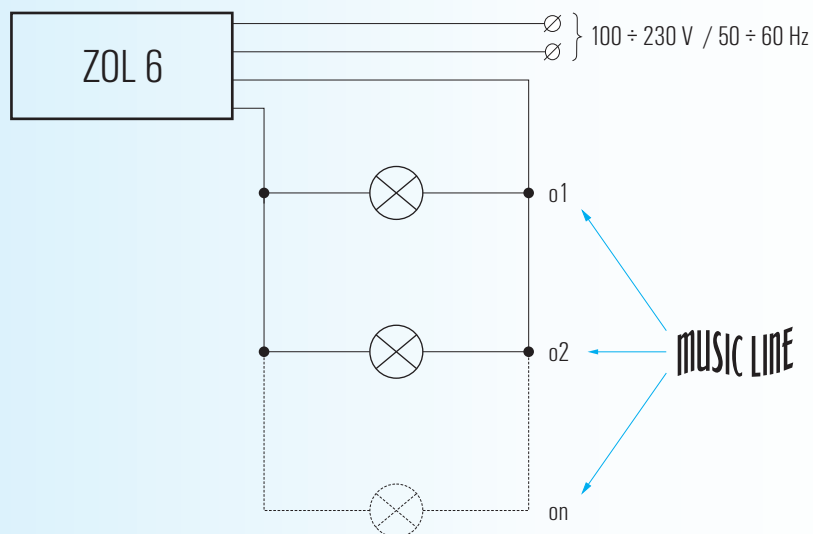
**FEEDER FOR LED FITTINGS**  
**of ZOL 6 type / 10V- 6W**

- supply voltage 100 ÷ 230 V / 50 ÷ 60 Hz
- output voltage 10 V - 6 W
- protection class KL. 2
- hermetic
- provided with short-circuit and overload protection



IP20 F B CE

**SCHEME OF ELEKTRIC CONNECTION**



max of rated current (power) o1 ÷ on = max 6 W ( ZOL 6 )

# SKOFF

PL 43-500 Czechowice-Dziedzice  
ul. Legionów 243 A  
tel./fax +48 32 215 28 93

[info@skoff.com.pl](mailto:info@skoff.com.pl)  
[www.skoff.com.pl](http://www.skoff.com.pl)